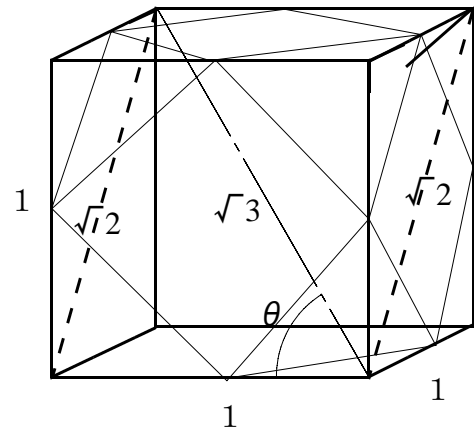
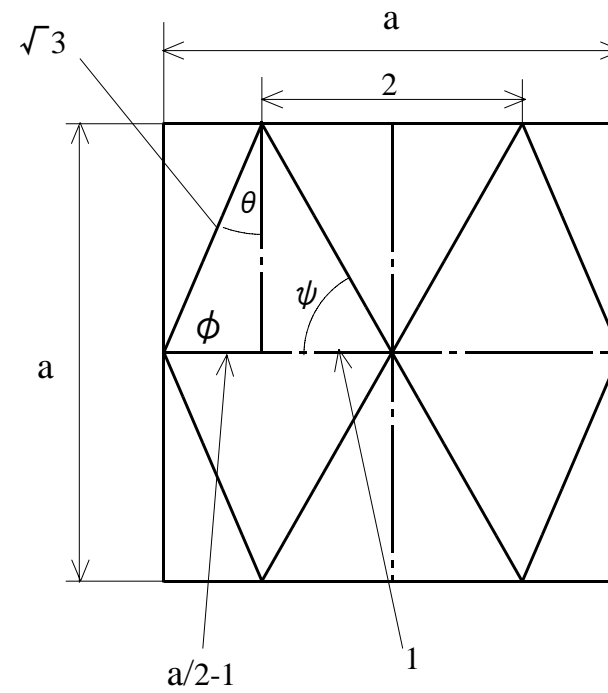
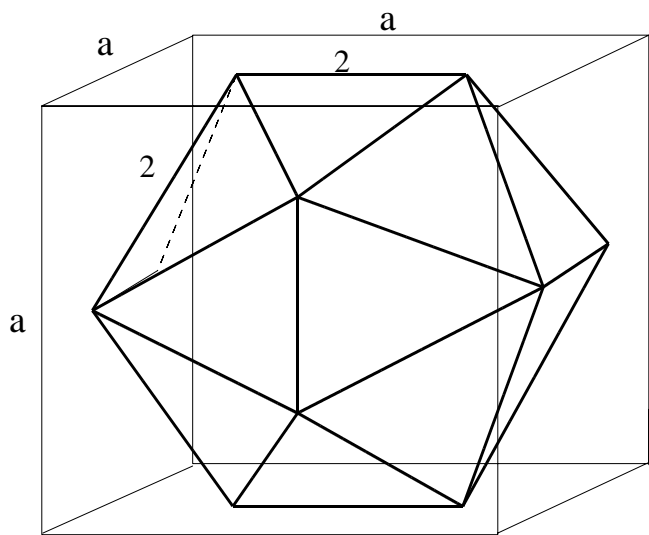
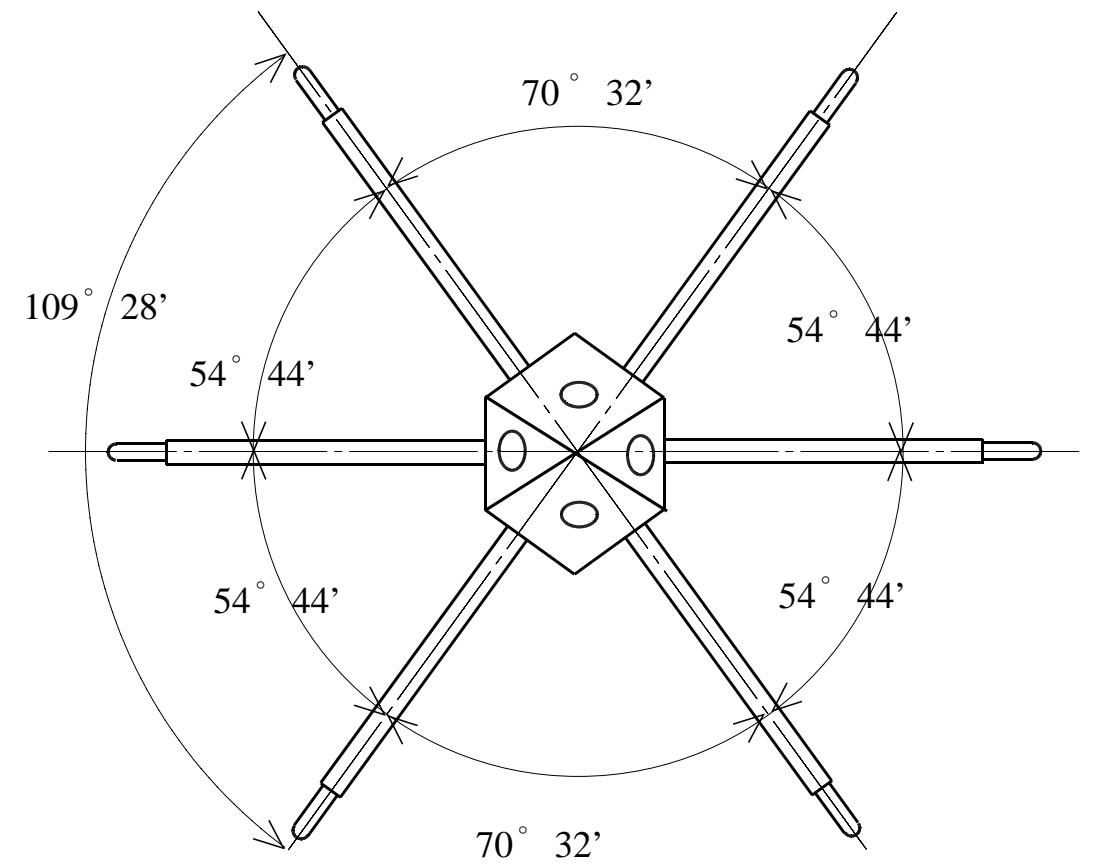


The angle of 14hedron and 32hedron



$$\cos \theta = 1/\sqrt{3}$$

$$\theta = 54^\circ 44'$$



$$\sqrt{3} \sin \theta = a/2-1 \quad \text{----- (1)}$$

$$\sqrt{3} \cos \theta = a/2 \quad \text{----- (2)}$$

$$a = 1 + \sqrt{5}$$

$$\theta = 20^\circ 54'$$

$$\tan \psi = a/2 \quad \text{----- (3)}$$

$$\psi = 58^\circ 17'$$

